

⚡ Specifications

Nominal Voltage(V)

12V

Nominal Capacity

20 hour rate	(3.75A to 10.50V)	75Ah
10 hour rate	(7.5A to 10.80V)	75Ah
5 hour rate	(12.75A to 10.20V)	63.75Ah
1 hour rate	(45A to 9.60V)	45Ah
1C	(75A to 9.60V)	47.5Ah

Weight

Approx. 24.2kg(53.24Lbs.)

Internal Resistance (at 1KHz)

Approx. 5 mΩ

Maximum Discharge Current for

5 seconds:900A

Charging Methods at 25°C (77°F)

Cycle use:

Charging Voltage 14.4 to 15.0V

Coefficient -5.0mV/°C/cell

Maximum Charging Current : 22.5A

Standby use:

Float Charging Voltage 13.5 to 13.8V

Coefficient -3.0mV/°C/cell

Operating Temperature Range

Charge -15°C(5°F) to 40°C(104°F)

Discharge -15°C(5°F) to 50°C(122°F)

Storage -15°C(5°F) to 40°C(104°F)

Charge Retention (shelf life) at 20°C(68°F)

1 month 98%

3 month 94%

6 month 85%

Case Material

ABS UL94 HB

Option: Flammability resistance of (UL94 V-0)

Design Life

EUROBAT(20°C) : >12 YEARS VERY LONG LIFE

Terminal

F8



⚡ Dimensions

Length (L)

260±²₁ (10.24±^{0.08}_{0.04})

Width (W)

170±² (6.69±^{0.08}_{0.04})

Height (H)

202±² (7.95±^{0.08}_{0.04})

Overall Height (HT)

207±² (8.15±^{0.08}_{0.04})

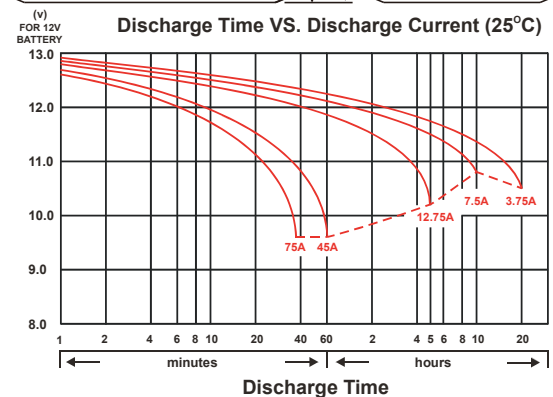
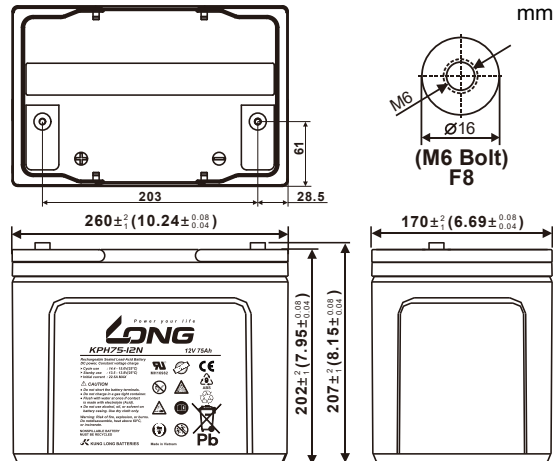
Description of torque value of hardware for the terminals:

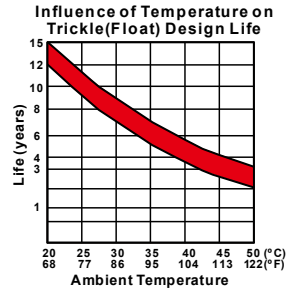
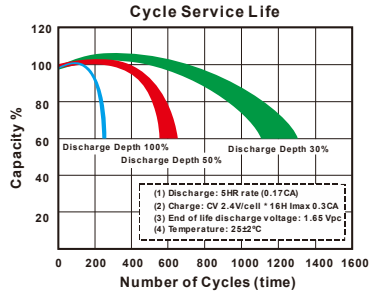
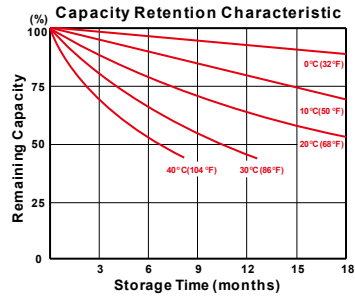
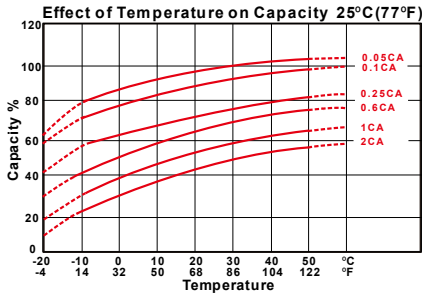
Recommended torque value

M6:7 N-m (71 kgf-cm)

Maximum allowable torque value

M6:10N-m (102 kgf-cm)
mm(inch)





- PERFORMANCE DATA

Discharge Rates in Watts to Various End Voltages at 25°C(77°F)

End Voltage		1.85V	1.80V	1.75V	1.70V	1.67V	1.65V	1.60V
Time								
10	min	349	378	403	417	424	431	435
15	min	272	283	291	297	302	306	308
30	min	168	178	184	188	191	193	194
60	min	92.6	93.8	94.6	95.0	95.3	95.4	95.5
120	min	53.5	55.5	57.0	57.4	57.6	57.7	57.8
180	min	37.2	37.7	38.0	38.3	38.5	38.6	38.7
240	min	29.4	30.1	30.6	30.9	31.1	31.2	31.4
300	min	24.0	24.5	24.9	25.1	25.3	25.4	25.5
480	min	16.1	16.4	16.6	16.7	16.8	16.8	16.9
600	min	13.7	14.1	14.4	14.6	14.7	14.8	14.9
1200	min	7.59	7.66	7.71	7.74	7.76	7.78	7.79

- Discharge Rates in Amperes to Various End Voltages at 25°C(77°F)

End Voltage		1.85V	1.80V	1.75V	1.70V	1.67V	1.65V	1.60V
Time								
10	min	180	206	223	232	237	241	243
15	min	141	153	162	167	170	173	175
30	min	82.5	92.0	97.0	98.9	100	101	102
60	min	48.5	50.8	52.4	53.0	53.3	53.6	53.8
120	min	26.5	28.7	30.1	30.5	30.7	30.9	31.1
180	min	19.1	19.7	20.1	20.4	20.6	20.7	20.9
240	min	14.7	15.5	16.2	16.4	16.5	16.6	16.7
300	min	11.8	12.4	13.0	13.3	13.5	13.6	13.6
480	min	8.36	8.71	9.01	9.04	9.07	9.07	9.08
600	min	7.06	7.52	7.58	7.63	7.66	7.68	7.69
1200	min	3.68	3.83	3.88	3.91	3.93	3.94	3.95

All data on the spec. sheet is an average value:

The tolerance range : $X < 6\text{min}$ (+15%~-15%), $6\text{min} \leq X < 10\text{min}$ (+12%~-12%), $10\text{min} \leq X < 60\text{min}$ (+8%~-8%), $X \geq 60\text{min}$ (+5%~-5%)

070426-1P