

⚡ Specifications

Nominal Voltage(V)

12V

Nominal Capacity

20 hour rate	(4A to 10.50V)	80Ah
10 hour rate	(7.6A to 10.50V)	76Ah
5 hour rate	(13.6A to 10.20V)	68Ah
1 hour rate	(48A to 9.60V)	48Ah
1C	(80A to 9.60V)	50.67Ah

Weight

Approx. 24.2kg(53.2Lbs.)

Internal Resistance (at 1KHz)

Approx. 5 mΩ

Maximum Discharge Current for

5 seconds:960A

Charging Methods at 25°C(77°F)

Maximum Charging Current :	24A
Standby use:	
Float Charging Voltage	13.5 to 13.8V
Coefficient	-3.0mV/°C/cell

Operating Temperature Range

Charge	-15°C(5°F) to 40°C(104°F)
Discharge	-15°C(5°F) to 50°C(122°F)
Storage	-15°C(5°F) to 40°C(104°F)

Charge Retention (shelf life) at 20°C(68°F)

1 month	98%
3 month	94%
6 month	85%

Case Material

ABS UL94 HB

Option: Flammability resistance of (UL94 V-0)

Design Life

EUROBAT(20°C) : >12 YEARS VERY LONG LIFE

Terminal

F8



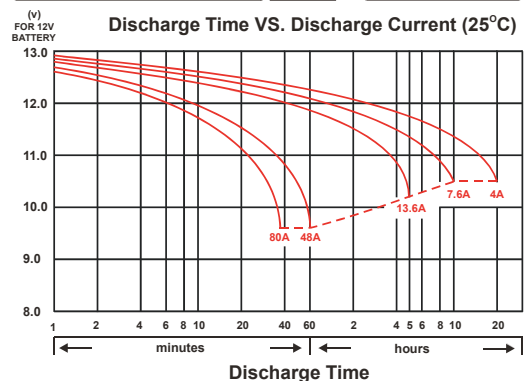
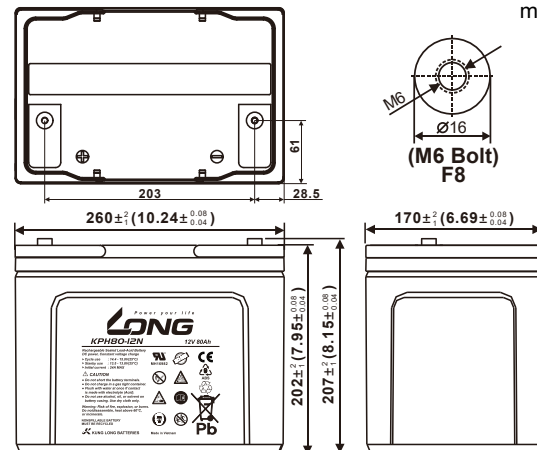
⚡ Dimensions

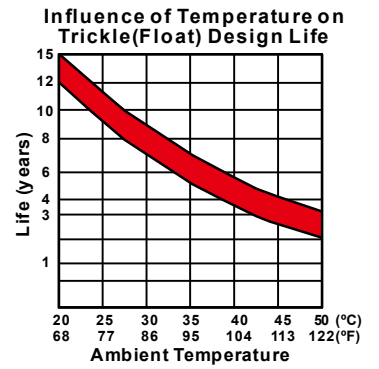
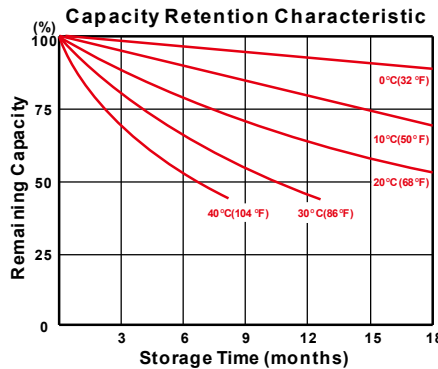
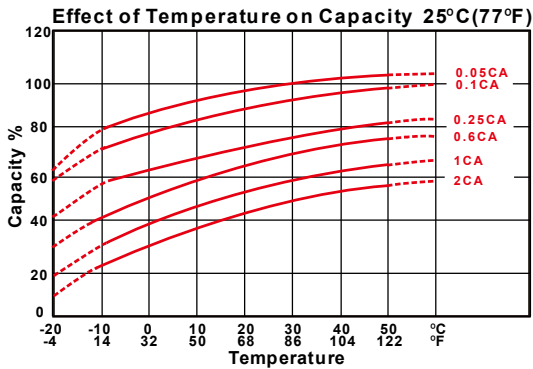
Length (L)	260± ² ₁ (10.24± ^{0.08} _{0.04})
Width (W)	170± ² ₁ (6.69± ^{0.08} _{0.04})
Height (H)	202± ² ₁ (7.95± ^{0.08} _{0.04})
Overall Height (HT)	207± ² ₁ (8.15± ^{0.08} _{0.04})

Description of torque value of hardware for the terminals:

Recommended torque value	M6:7 N-m (71 kgf-cm)
Maximum allowable torque value	M6:10N-m (102kgf-cm)

mm(inch)





- PERFORMANCE DATA

Discharge Rates in Watts to Various End Voltages at 25°C(77°F)

End Voltage		1.85V	1.80V	1.75V	1.70V	1.67V	1.65V	1.60V
Time								
10	min	360	390	415	430	437	444	448
15	min	280	292	300	306	311	315	318
30	min	173	184	190	194	197	199	200
60	min	95.5	96.7	97.5	97.9	98.2	98.4	98.5
120	min	54.6	56.6	58.2	58.6	58.7	58.9	59.0
180	min	38.0	38.5	38.8	39.1	39.3	39.4	39.5
240	min	30.0	30.7	31.2	31.5	31.7	31.9	32.0
300	min	24.5	25.0	25.4	25.6	25.8	25.9	26.0
480	min	16.4	16.7	16.9	17.0	17.1	17.2	17.2
600	min	14.0	14.4	14.7	14.9	15.0	15.1	15.2
1200	min	7.74	7.82	7.87	7.90	7.92	7.94	7.95

- Discharge Rates in Amperes to Various End Voltages at 25°C(77°F)

End Voltage		1.85V	1.80V	1.75V	1.70V	1.67V	1.65V	1.60V
Time								
10	min	186	213	230	239	244	248	250
15	min	145	158	167	172	175	178	180
30	min	85.0	94.8	100	102	103	104	105
60	min	50.0	52.3	54.0	54.6	55.0	55.3	55.5
120	min	27.1	29.3	30.7	31.2	31.4	31.6	31.7
180	min	19.5	20.1	20.5	20.8	21.0	21.2	21.3
240	min	15.0	15.8	16.5	16.7	16.8	16.9	17.0
300	min	12.0	12.7	13.3	13.6	13.7	13.8	13.9
480	min	8.53	8.89	9.20	9.23	9.25	9.26	9.27
600	min	7.20	7.54	7.77	7.88	7.93	7.97	8.00
1200	min	3.75	3.90	4.00	4.02	4.03	4.04	4.05

All data on the spec. sheet is an average value:

The tolerance range : $X < 6\text{min}$ (+15%~-15%), $6\text{min} \leq X < 10\text{min}$ (+12%~-12%), $10\text{min} \leq X < 60\text{min}$ (+8%~-8%), $X \geq 60\text{min}$ (+5%~-5%)