

⚡ Specifications

Nominal Voltage(V)

12V

Nominal Capacity

| | | | | |
|--------------|--------|----|---------|---------|
| 20 hour rate | (1.3A | to | 10.50V) | 26Ah |
| 10 hour rate | (2.47A | to | 10.50V) | 24.7Ah |
| 5 hour rate | (4.42A | to | 10.20V) | 22.1Ah |
| 1 C | (26A | to | 9.60V) | 14.73Ah |
| 3 C | (78A | to | 9.60V) | 10.4Ah |

Weight

Approx. 9.3kg(20.5Lbs.)

Internal Resistance (at 1KHz)

Approx. 11 mΩ

Maximum Discharge Current for

5 seconds: 390A

Charging Methods at 25°C(77°F)

| | |
|----------------------------|---------------|
| Cycle use: | |
| Charging Voltage | 14.4 to 15.0V |
| Coefficient -5.0mV/°C/cell | |
| Maximum Charging Current : | 7.8A |
| Standby use: | |
| Float Charging Voltage | 13.5 to 13.8V |
| Coefficient -3.0mV/°C/cell | |

Operating Temperature Range

| | | | |
|-----------|------------|----|-------------|
| Charge | -15°C(5°F) | to | 40°C(104°F) |
| Discharge | -15°C(5°F) | to | 50°C(122°F) |
| Storage | -15°C(5°F) | to | 40°C(104°F) |

Charge Retention (shelf life) at 20°C(68°F)

| | |
|---------|-----|
| 1 month | 92% |
| 3 month | 90% |
| 6 month | 80% |

Case Material

ABS UL94 HB
Option: Flammability resistance of (UL94 V-0)

Design Life

3-5 Years.

Terminal

F6



⚡ Dimensions

Length (L)

166±²₀ (6.54±^{0.08}_{0.04})

Width (W)

175±²₀ (6.89±^{0.08}_{0.04})

Height (H)

125±²₀ (4.92±^{0.08}_{0.04})

Overall Height (HT)

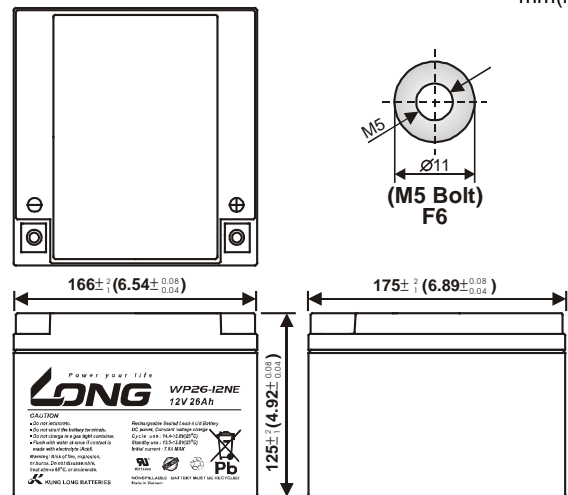
125±²₀ (4.92±^{0.08}_{0.04})

Recommended torque value

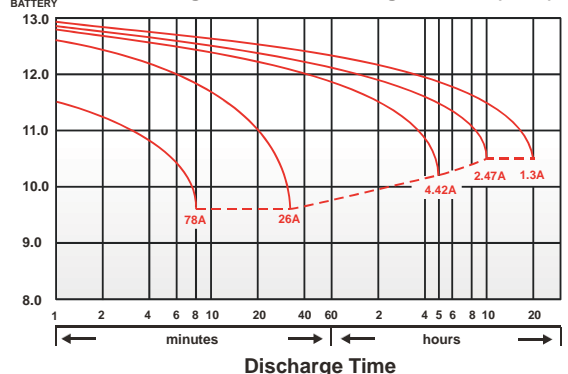
M5: 4 N-m (41kgf-cm)

Maximum allowable torque value

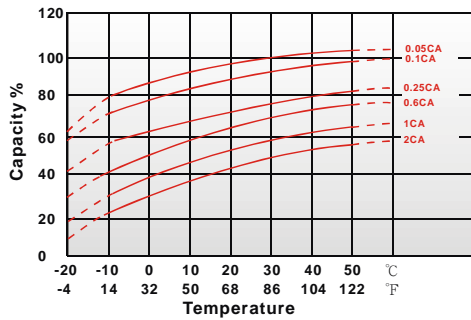
M5: 6 N-m (61kgf-cm)
mm(inch)



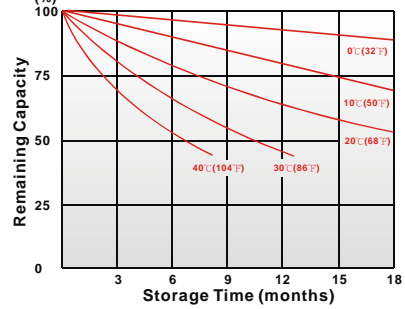
(V) FOR 12V BATTERY Discharge Time VS. Discharge Current (25°C)



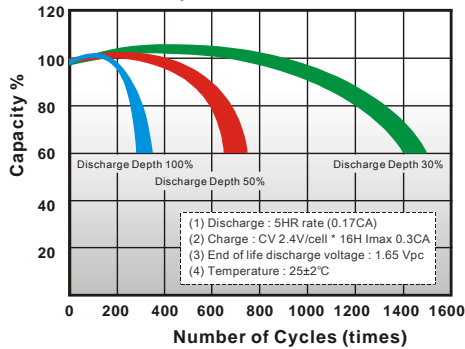
Effect of Temperature on Capacity 25°C (77°F)



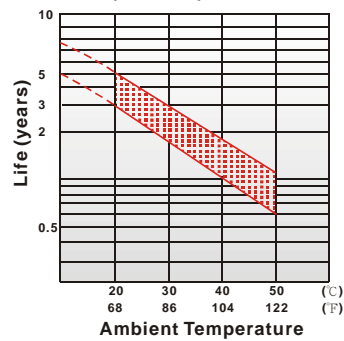
Capacity Retention Characteristic



Cycle Service Life



Trickle (or float) Service Life



- PERFORMANCE DATA

Discharge Rates in Watts to Various End Voltages at 25°C (77°F)

| End Voltage | | 1.85V | 1.80V | 1.75V | 1.70V | 1.67V | 1.65V | 1.60V |
|-------------|-----|-------|-------|-------|-------|-------|-------|-------|
| Time | | | | | | | | |
| 5 | min | 139 | 155 | 166 | 177 | 183 | 188 | 199 |
| 10 | min | 103 | 110 | 116 | 121 | 124 | 127 | 131 |
| 15 | min | 73.8 | 80.8 | 85.5 | 89.4 | 91.3 | 93.1 | 96.5 |
| 30 | min | 39.7 | 42.8 | 45.7 | 47.7 | 48.5 | 49.3 | 50.3 |
| 60 | min | 28.2 | 29.8 | 31.2 | 32.2 | 32.5 | 32.8 | 33.2 |
| 120 | min | 18.3 | 19.2 | 19.7 | 20.2 | 20.3 | 20.6 | 20.7 |
| 180 | min | 12.6 | 12.9 | 13.1 | 13.3 | 13.4 | 13.5 | 13.5 |
| 240 | min | 10.2 | 10.4 | 10.6 | 10.7 | 10.8 | 10.8 | 10.9 |
| 300 | min | 8.60 | 8.65 | 8.82 | 8.95 | 9.01 | 9.05 | 9.11 |
| 600 | min | 5.02 | 5.15 | 5.25 | 5.32 | 5.35 | 5.38 | 5.42 |
| 1200 | min | 2.58 | 2.67 | 2.74 | 2.78 | 2.80 | 2.82 | 2.83 |

- Discharge Rates in Amperes to Various End Voltages at 25°C (77°F)

| End Voltage | | 1.85V | 1.80V | 1.75V | 1.70V | 1.67V | 1.65V | 1.60V |
|-------------|-----|-------|-------|-------|-------|-------|-------|-------|
| Time | | | | | | | | |
| 5 | min | 73.8 | 85.2 | 94.8 | 102 | 105 | 107 | 110 |
| 10 | min | 53.9 | 60.2 | 63.3 | 66.2 | 68.3 | 70.2 | 72.6 |
| 15 | min | 38.4 | 43.8 | 47.1 | 49.8 | 51.5 | 52.1 | 53.3 |
| 30 | min | 22.2 | 24.6 | 25.9 | 27.2 | 27.9 | 28.4 | 29.4 |
| 60 | min | 14.9 | 15.7 | 16.2 | 16.6 | 16.8 | 17.0 | 17.2 |
| 120 | min | 9.16 | 9.43 | 9.62 | 9.83 | 9.92 | 10.0 | 10.1 |
| 180 | min | 6.38 | 6.56 | 6.65 | 6.75 | 6.79 | 6.84 | 6.91 |
| 240 | min | 5.21 | 5.36 | 5.49 | 5.60 | 5.63 | 5.68 | 5.74 |
| 300 | min | 4.43 | 4.54 | 4.63 | 4.70 | 4.72 | 4.74 | 4.77 |
| 600 | min | 2.47 | 2.55 | 2.62 | 2.67 | 2.69 | 2.72 | 2.75 |
| 1200 | min | 1.26 | 1.32 | 1.37 | 1.41 | 1.43 | 1.44 | 1.46 |

All data on the spec. sheet is an average value:

The tolerance range : X<6min(+15%~-15%), 6min ≤ X<10min(+12%~-12%), 10min ≤ X < 60min(+8%~-8%), X ≥ 60min(+5%~-5%)

301222-1H